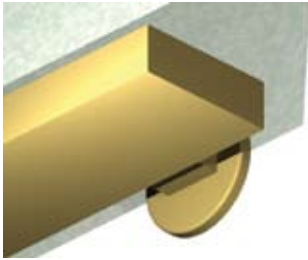
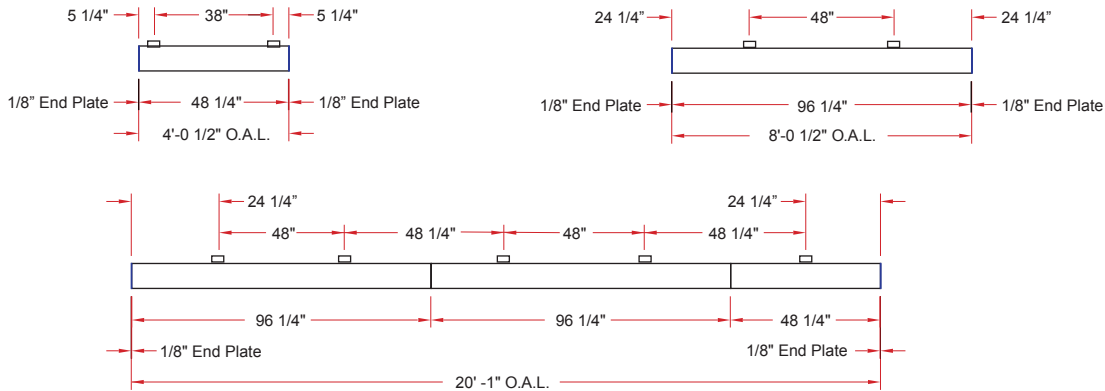
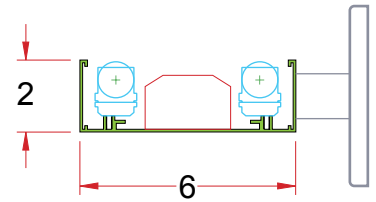


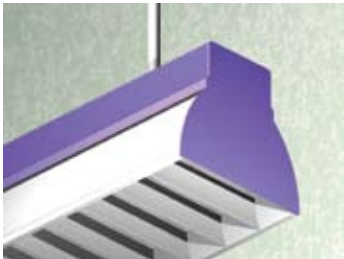
2 x 6/SQU IW



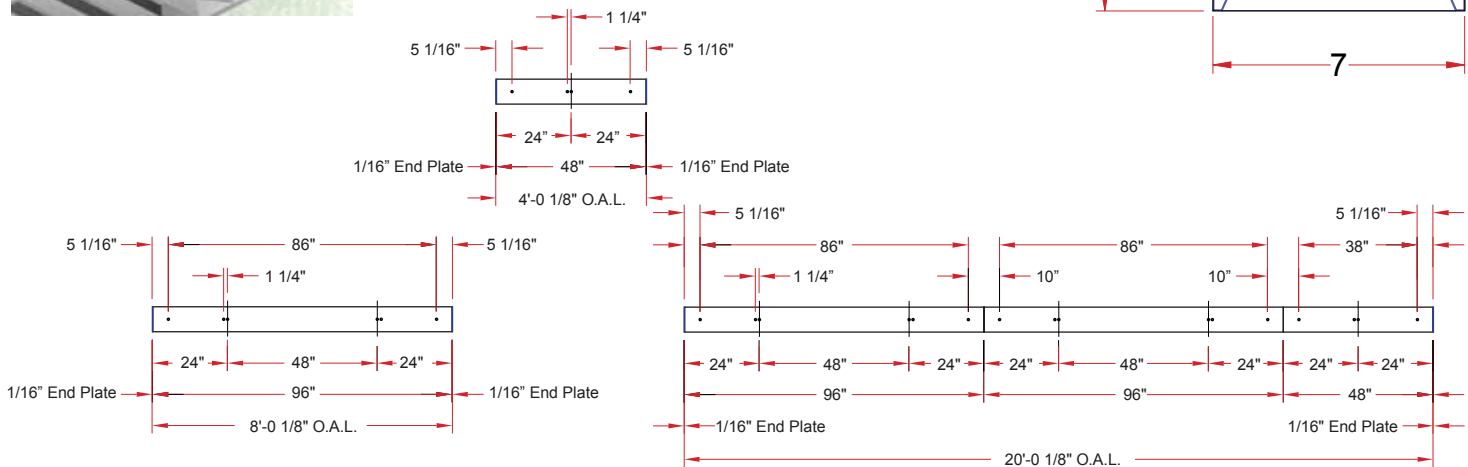
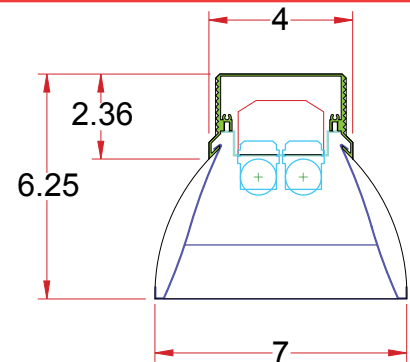
Lighting: Indirect
Mounting: Wall
Length: Stocked up to 8'
Connectors: Consult Factory For Details
Diffuser: None
Finish: Mill Finish
Options: Consult Factory



2.3 x 4/SQU DP, DS



Lighting: Direct
Mounting: Pendant or Cable or Surface
Length: Stocked up to 8'
Connectors: Consult Factory For Details
Diffuser: None
Finish: Mill Finish
Options: Consult Factory



Note: All mounting holes are 7/8" dia. K.O.s