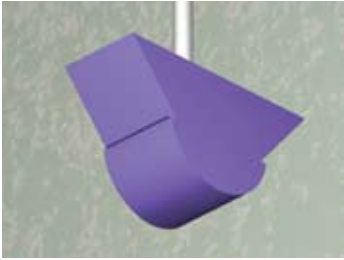
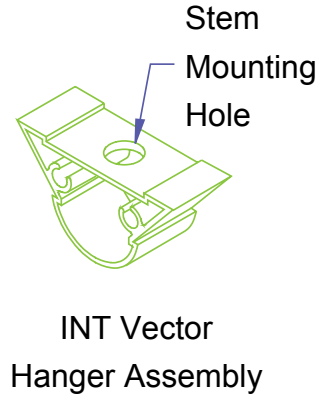
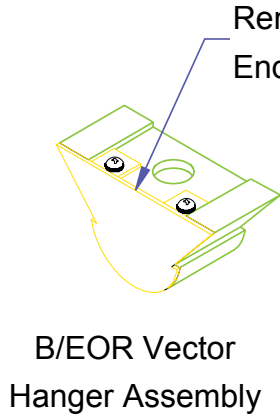
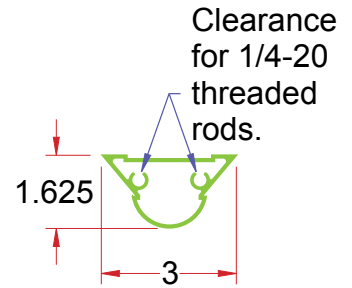


Vector Hanger Assemblies

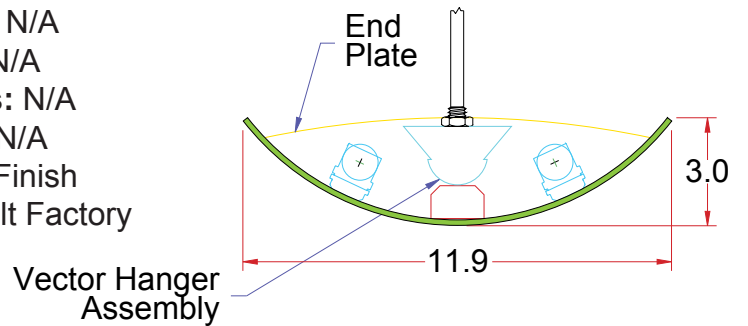
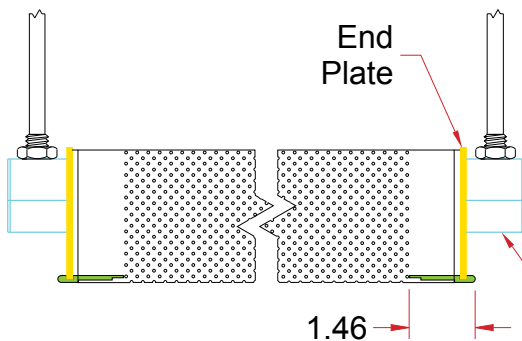


Lighting: N/A
Mounting: N/A
Length: N/A
Connectors: N/A
Diffuser: N/A
Finish: Mill Finish
Options: Consult Factory



3 x 12/RPH End Assembly

Lighting: N/A
Mounting: N/A
Length: N/A
Connectors: N/A
Diffuser: N/A
Finish: Mill Finish
Options: Consult Factory



Vector Hanger Assembly