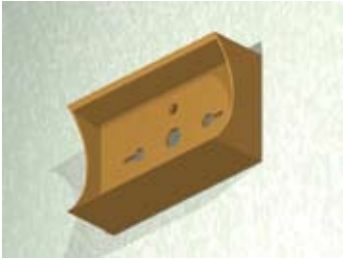
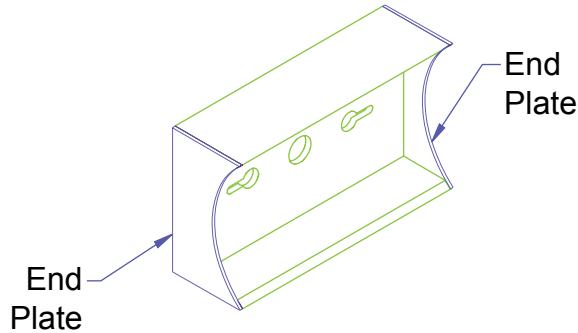
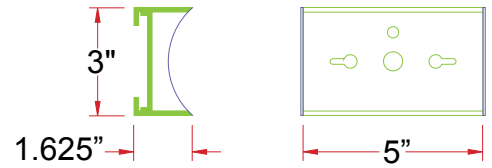


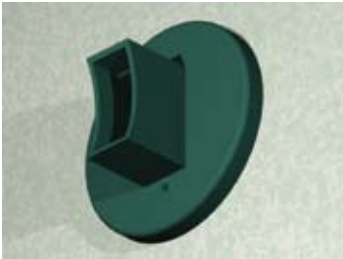
4/RND Wall Mounting Bracket



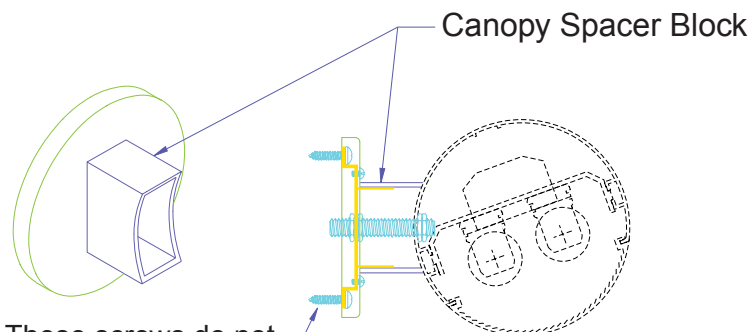
Lighting: N/A
Mounting: Wall
Length: N/A
Connectors: N/A
Diffuser: N/A
Finish: Mill Finish
Options: Consult Factory



6/RND Wall Mounting Canopy Kit



Lighting: N/A
Mounting: Wall
Length: N/A
Connectors: N/A
Diffuser: N/A
Finish: Mill Finish
Options: Consult Factory



Note: These screws do not attach to the electrical box.
(Not Supplied by Swiss Tool)